

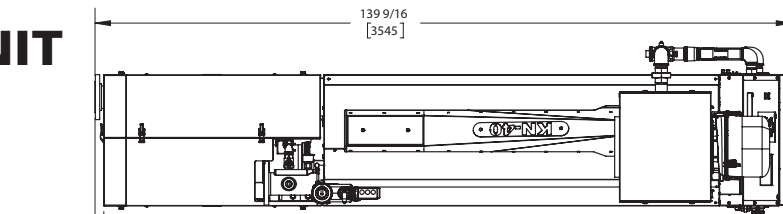
KN40+ DUAL FUEL

CODE OPTIONS

CSD-1	STANDARD
-------	----------

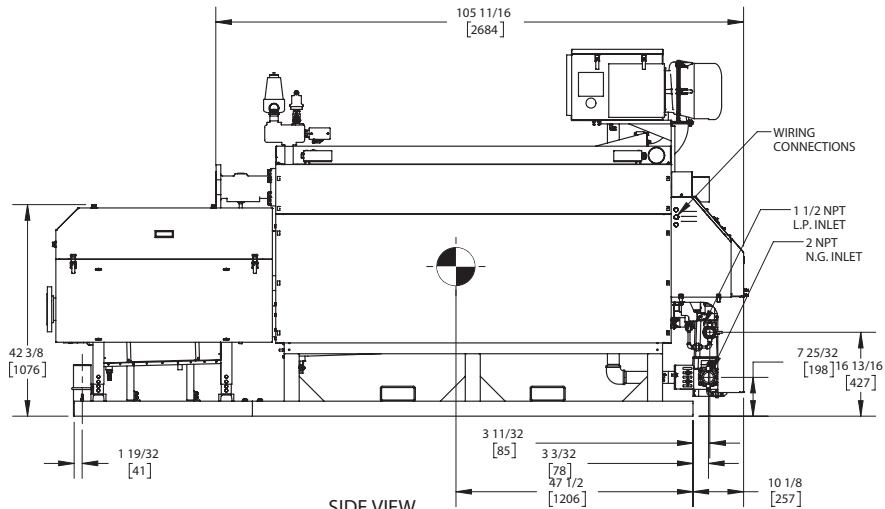
Category II or Category IV Appliance
(see Installation and Operation Manual for venting information)

INDOOR UNIT

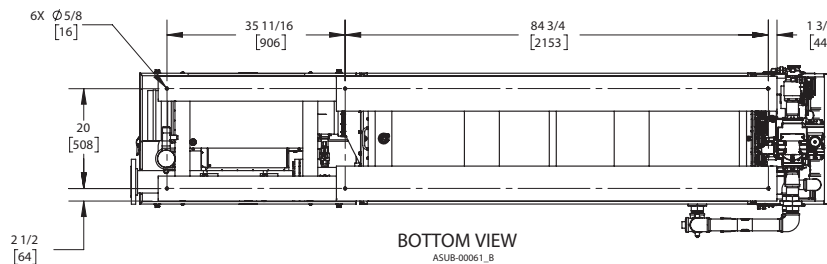


1 25/32
[45]

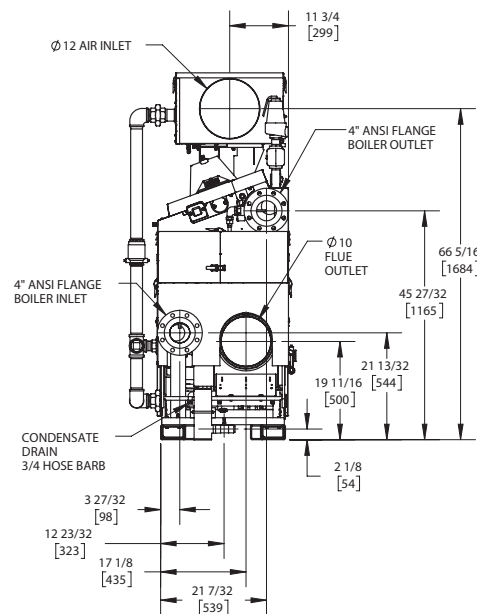
TOP VIEW
ASUB-00061_B



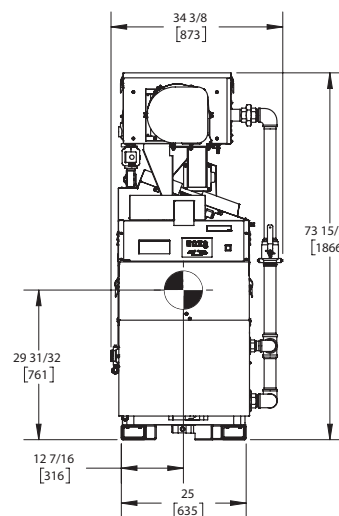
SIDE VIEW
ASUB-00061_B



BOTTOM VIEW
ASUB-00061_B



REAR VIEW
ASUB-00061_B



FRONT VIEW
ASUB-00061_B

- NOTES:
1. SYMBOL INDICATES CENTER OF GRAVITY.
 2. DIMENSIONS ARE NOMINAL AND SUBJECT TO MANUFACTURING VARIATION AND SHOULD NOT BE USED FOR "ROUGHING IN".
 3. ALL DIMENSIONS ARE INCHES [mm].



A.G.A. CERTIFIED RATINGS & CAPACITIES

Fuel Type	Natural/LP Gas	Boiler FLA	17.0 A*
Input BTU/hr.	4,000,000 / 1172 KW	Min. Gas Pressure Required	3" W.C.
Output BTU/hr.	3,808,000 / 1116 KW	Max. Gas Pressure Allowed	14" W.C.
Boiler HP	113.8	Water Volume	47.1 gal.
Electrical Requirements	230VAC/60 hz/3PH	Operating Weight	5120 lbs. / 2322 kg.
SCCR Rating	5kA		

BOILER TRIM & CONTROLS

Main Gas Valve	Dungs MBC	Air Switch	Huba
Firing Valve	2" Apollo	Flow Sensor	SIKA
Ignition Control	Honeywell RM7895C	Blocked Flue Switch	Cleveland NS2
Operating Control	HeatNet®	Blower Motor	Ametek
High Limit (Manual Reset)	Honeywell L4006E	L.W.C.O.	800
High Limit (Auto Reset)	Honeywell L4006A	Relief Valve	30, 50, 75 & 100 PSI
Main Ball Valve	2" Apollo	Pilot Regulator	Maxitrol RV12LT
Pilot Cock	1/4" Conbraco		

A.S.M.E.

ASME Sect IV Fire Side Htg Surface	694.3 Sq. Ft. / 64.5 Sq. M.	Design Data	100 PSI & 250°F
ASME Sect IV Water Side Htg Surface	165.9 Sq. Ft. / 15.4 Sq. M.		
CV. GPM (1PSID)	271		

*Add circulator amps.

TEMPERATURE RISE / PRESSURE DROP (Based on Full Input)

20°F / 11.1°C				40°F / 22.2°C				60°F / 33.3°C				80°F / 44.4°C				100°F / 55.5°C			
Flow Rate		Pressure Drop		Flow Rate		Pressure Drop		Flow Rate		Pressure Drop		Flow Rate		Pressure Drop		Flow Rate		Pressure Drop	
GPM	L/s	Ft	kPa	GPM	L/s	Ft	kPa	GPM	L/s	Ft	kPa	GPM	L/s	Ft	kPa	GPM	L/s	Ft	kPa
381.0	24.03	4.56	13.63	190.5	12.02	1.14	3.41	127.0	8.01	.51	1.51	95.2	6.01	.28	.85	76.2	4.81	.18	.55

Flow GPM		Temp. Rise** (°F)		Vent Length (Equiv. Ft.)		Air Inlet Length (Equiv. Ft.)	
Min	Max	Min	Max	Min	Max	Min	Max
76.2	381.0	20	100	6	100	0	100

**Min/Max delta t reflects boiler operation at full input. For applications requiring operation above/below these parameters please consult factory.

REP FIRM	_____
SUBMITTED BY	_____
JOB NAME	_____
ARCHITECT	_____
ENGINEER	_____
CONTRACTOR	_____
DATE	_____

KN40+ DUAL FUEL

Category II or Category IV Appliance
(see Installation and Operation Manual for venting information)



A Division of Mestek, Inc.
Westfield, MA 01085
(413) 564-5515